

**SANBORN**<sup>®</sup>  
AIR BRAKE TANKS

BY

**MAT**<sup>®</sup>  
INDUSTRIES, LLC

60<sup>+</sup>  
1963 2025  
Years

- ✓ Simplify Business
- ✓ Reduce Inventory
- ✓ Speed up Repair Times

# UNIVERSAL

AIR BRAKE TANKS



**3 Universal Models**  
designed to replace  
over **150** Sanborn  
brake tank models



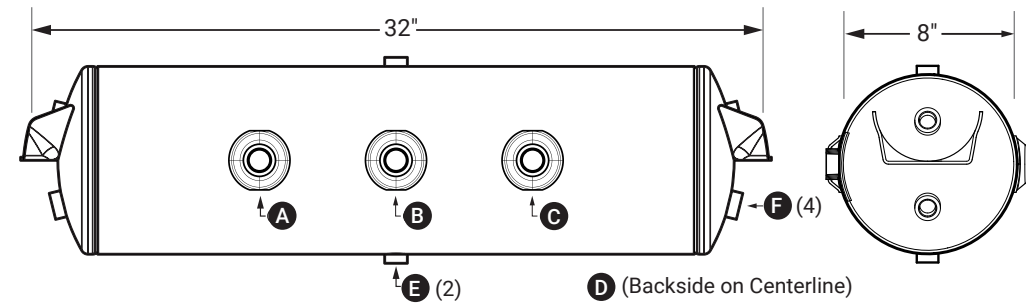
VISIT [SANBORNBRAKETANKS.COM](http://SANBORNBRAKETANKS.COM)

Made in the  
**USA**





Models:  
**ABT8UNIV**  
**ABT8UNIVKIT**  
 Diameter: **8"**  
 Length: **32"**  
 Min. Capacity: **1425 CI**  
 Max. Working PSI: **150**  
 Meets **SAEJ10** standards

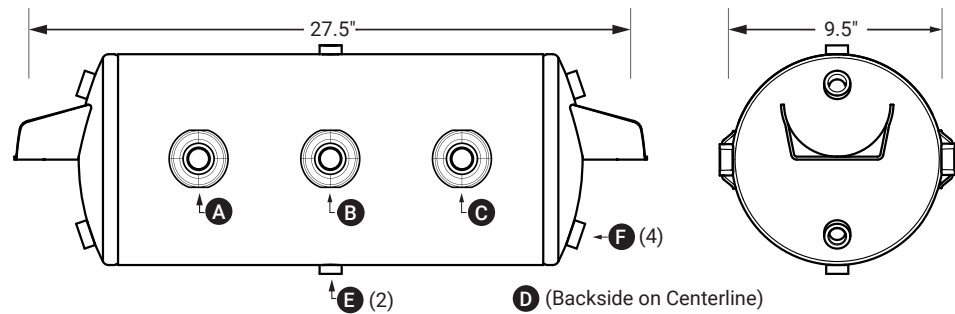


Main Ports: **A B C D** = 3/4" Drain Port: **E** = 1/4" End Ports: **F** = 1/2"

| Replaces 30+ Sanborn 8" Models |        |         |         |         |         |          |         |         |        |          |
|--------------------------------|--------|---------|---------|---------|---------|----------|---------|---------|--------|----------|
| ST8000                         | ST8085 | ST80214 | ST80185 | ST8015  | ST8068  | ST8031   | ST8001  | ST8007  | ST8016 | ST80202* |
| ST8052                         | ST8030 | ST8020  | ST8014  | ST8028  | ST80161 | ST80188  | ST80115 | ST8012  | ST8022 | ST80204  |
| ST8041                         | ST8047 | ST8013  | ST8008  | ST8093* | ST8002  | ST80103* | ST8060  | ST80186 | ST8037 | ST8036*  |

\*Requires two plug/bushing kits

Models:  
**ABT95UNIV**  
**ABT95UNIVKIT**  
 Diameter: **9.5"**  
 Length: **27.5"**  
 Min. Capacity: **1425 CI**  
 Max. Working PSI: **150**  
 Meets **SAEJ10** standards

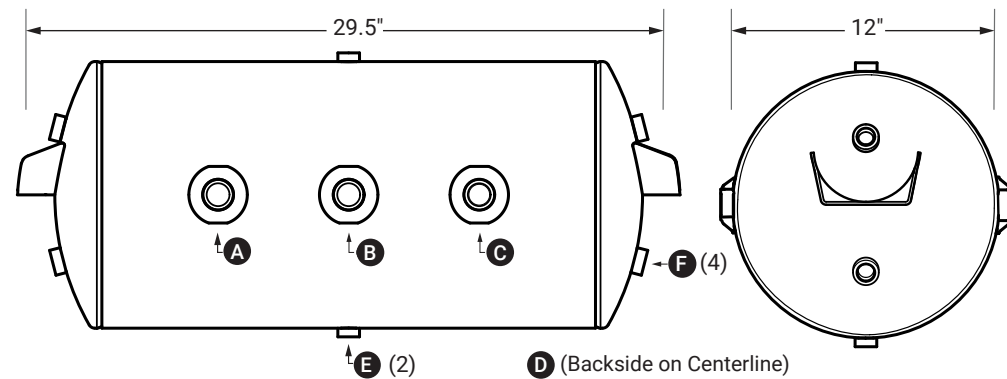


Main Ports: **A B C D** = 3/4" Drain Port: **E** = 1/4" End Ports: **F** = 1/2"

| Replaces 50+ Sanborn 9.5" Models |         |         |         |         |         |        |         |        |        |        |        |
|----------------------------------|---------|---------|---------|---------|---------|--------|---------|--------|--------|--------|--------|
| ST9500                           | ST9506  | ST95118 | ST95149 | ST9518  | ST9528  | ST9532 | ST95381 | ST9542 | ST9562 | ST9578 | ST9587 |
| ST9501                           | ST9507  | ST95119 | ST9515  | ST9522  | ST9529  | ST9533 | ST9539  | ST9543 | ST9568 | ST9579 | ST9588 |
| ST9502*                          | ST9508  | ST9512  | ST95156 | ST9523  | ST9530  | ST9534 | ST95394 | ST9547 | ST9569 | ST9581 | ST9590 |
| ST9504                           | ST9510  | ST9513  | ST95161 | ST9526  | ST9531  | ST9537 | ST95395 | ST9553 | ST9575 | ST9583 | ST9599 |
| ST9505                           | ST95116 | ST9514  | ST95162 | ST95272 | ST95313 | ST9538 | ST9541  | ST9561 | ST9577 | ST9585 |        |

\*Requires two plug/bushing kits

Models:  
**ABT12UNIV**  
**ABT12UNIVKIT**  
 Diameter: **12"**  
 Length: **29.5"**  
 Min. Capacity: **2850 CI**  
 Max. Working PSI: **150**  
 Meets **SAEJ10** standards



Main Ports: **A B C D** = 3/4" Drain Port: **E** = 1/4" End Ports: **F** = 1/2"

| Replaces 60+ Sanborn 12" Models |          |         |         |         |        |         |         |        |         |        |
|---------------------------------|----------|---------|---------|---------|--------|---------|---------|--------|---------|--------|
| ST1200                          | ST1209   | ST12107 | ST12156 | ST1219  | ST1225 | ST1235  | ST1248  | ST1266 | ST1276  | ST1293 |
| ST1204                          | ST1210*  | ST1211  | ST12157 | ST12196 | ST1226 | ST1237  | ST1249  | ST1270 | ST1277  | ST1294 |
| ST1205                          | ST12100  | ST1213  | ST1216  | ST12208 | ST1229 | ST1239  | ST1253  | ST1271 | ST1279  | ST1297 |
| ST1206                          | ST12102  | ST12130 | ST1217  | ST12211 | ST1230 | ST1242  | ST1254  | ST1273 | ST1280* |        |
| ST1207                          | ST12104* | ST1214  | ST1218  | ST1222  | ST1231 | ST1243  | ST1255* | ST1274 | ST1282  |        |
| ST1208                          | ST12105  | ST12149 | ST12180 | ST1223  | ST1232 | ST1247* | ST1260  | ST1275 | ST1292  |        |

\*Requires two plug/bushing kits



Certain Sanborn models will require (2) **STUNIVPLGKITs**

**STUNIVPLGKIT**

**Plug and Bushing Kit Contents**

- (2) Bushing Reducer - 3/4" MNPT to 1/2" FNPT
- (2) Bushing Reducer - 1/2" MNPT to 3/8" FNPT
- (2) Bushing Reducer - 1/2" MNPT to 1/4" FNPT
- (3) Brass Plug - 3/4" NPT
- (4) Brass Plug - 1/2" NPT
- (2) Brass Plug - 1/4" NPT
- (1) PTFE Thread Seal Roll

**STUNIVPLGKIT** can be ordered separate, or comes with kitted models **ABT8UNIVKIT**, **ABT95UNIVKIT**, and **ABT12UNIVKIT**.



**Robust Manufacturing Leader**

Established in 1963, Sanborn Manufacturing has over 60 years of experience in the compressor tank and air brake tank industries, and has become one of the largest ASME pressure vessel manufacturers in North America.

**Proudly Made in the U.S.A.**

Situated on 94 acres in Western Tennessee, our 465,000 sq.ft. operation is strategically located to service your needs. We are proud to be a Made in USA manufacturer, with in house manufacturing, quality and design teams dedicated to excellence.

**A Large Family**

Sanborn Air Brake Tanks is a MAT Industries business. MAT Industries is a global leader in the Air Brake Tank, Air Compressor and Air Compressor Accessory industries.



# UNIVERSAL AIR BRAKE TANKS



Models: **ABT8UNIV** and **ABT8UNIVKIT**



Models: **ABT95UNIV** and **ABT95UNIVKIT**

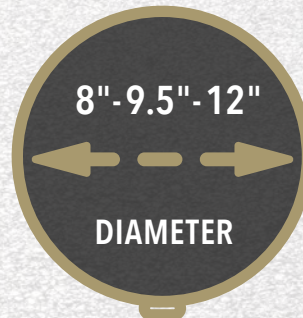


Models: **ABT12UNIV** and **ABT12UNIVKIT**



Have the ability to replace over 150 Sanborn brake tank models with the most universal air brake tank on the market. Our universal brake tanks are manufactured with 1/2" tank head ports, giving more flexibility than other reversible tanks.

Like other standard Sanborn products, our universal tanks meet all SAEJ10 standards and feature a black powder coat painted steel for long lasting durability and protection.



8"-9.5"-12"

DIAMETER

REVERSIBLE

